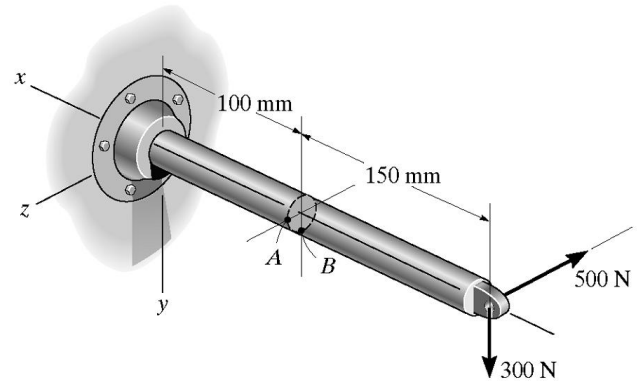


Name:

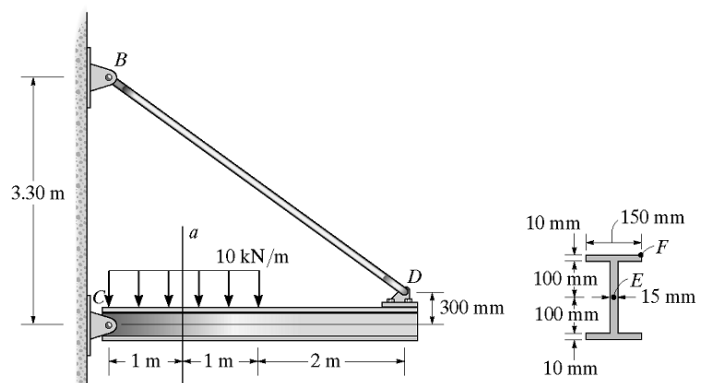
Student ID:

AM28: Combined Loading

- The bar has a diameter of 40 mm. If it is subjected to the two force components at its end as shown, determine the state of stress at point *A* and show the results on a differential volume element located at this point.



- The beam supports the loading shown. Determine the state of stress at point *E* and *F* at section *a-a*, and represent the results on a differential volume element located at each of these points.

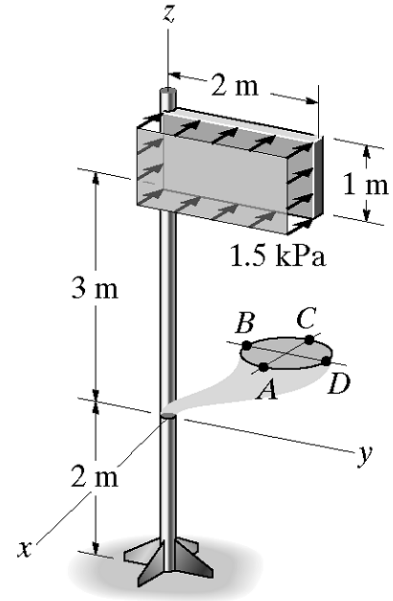


Name:

Student ID:

AM28: Combined Loading

3. The sign plate is subjected to the uniform wind loading. Determine the stress components at points A and B on the 100-mm-diameter supporting post. Show the results on a volume element located at each of these points.



4. The solid rod is subjected the loading shown. Determine the state of stress at point C , and show the results on a differential volume element located at this point.

